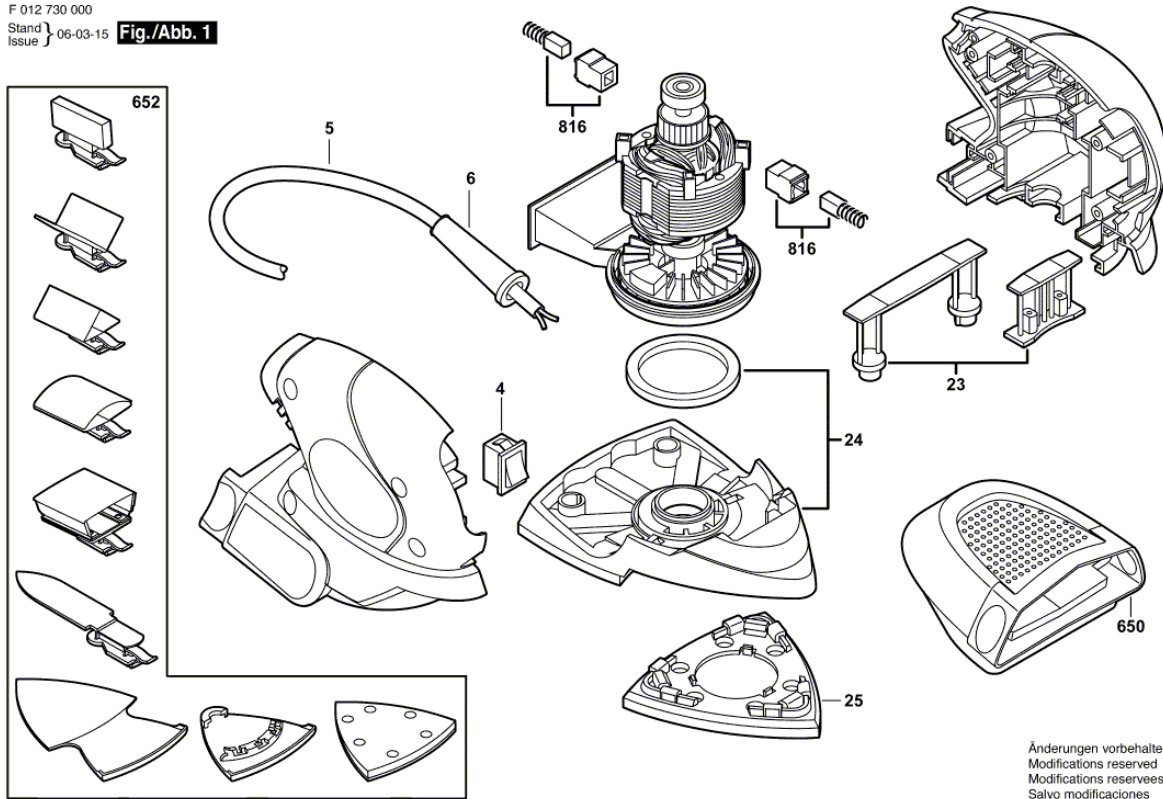




F 012 730 000
. 7300

20.09.2006
23:48:01

F 012 730 000
Stand } 06-03-15
Issue } **Fig./Abb. 1**



Änderungen vorbehalten
Modifications reserved
Modifications reserves
Salvo modificaciones

Item	Quantity	Order No.	Designation	Price group	Page
4	1	2 610 938 370	ON-OFF SWITCH		1
5	1	2 610 940 923	MAINS CONNECTION CABLE		1
6	1	2 610 938 724	GROMMET		1
23	1	2 610 941 072	PARTS SET		1
24	1	2 610 941 073	BASE		1
25	1	2 610 941 074	PAD		1
650	1	2 610 941 075	DUST CHAMBER		1
652	1	2 610 938 373	ACCESSORY SET		1
816	1	2 610 938 379	CARBON-BRUSH SET		1

